

munk

PRODUCT
INFORMATION

2822
MONORAIL TROLLEY

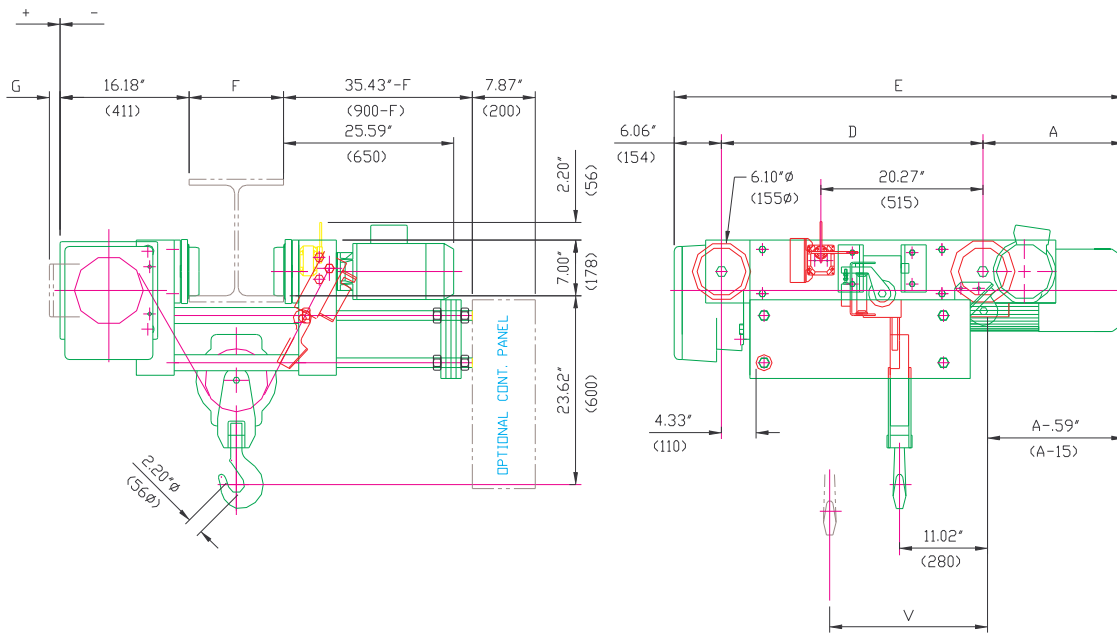
3 3/4 TON CAPACITY

DWG. NO:

2822E1223

DATE: 15.04.98

REVISION: 1



MUNCK RESERVES THE RIGHT TO MAKE CHANGE WITHOUT NOTICE.

HOIST TECHNICAL DATA

CAPACITY:	3 3/4 TONS (7500 LBS)	HOIST CLASS:	HMI H3	HOIST MOTOR:	9.3/2.8 HP, 1800/600 RPM, TEFC, S3 - 40%, CLASS "F" INSULATION
HOIST SPEED:	32 / 10.5 F.P.M (OPT. SPEEDS AVAILABLE)	TROLLEY CLASS:	CMAA C	TROLLEY MOTOR:	.9 / .22 HP, 3600/900 RPM, TEFC, S3 - 60%, CLASS "F" INSULATION
TROLLEY SPEED:	80 / 20 F.P.M. (OPT. SPEEDS AVAILABLE)	POWER SUPPLY:	460V-3PH-60HZ		

DIMENSIONAL INFORMATION

HOIST TYPE	HEIGHT OF LIFT		V INCHES (mm)	D INCHES (mm)	E INCHES (mm)	A INCHES (mm)	G INCHES (mm)	WEIGHT LBS (KG)	FLANGE WIDTH "F"		HEADROOM "H"	
	METERS	FEET							mm	INCHES	mm	INCHES
2822E-1223	12.2	40'-0"	19.76 (502)	32.71 (831)	56.29 (1430)	17.51 (445)	1.33 (34)	1294 (587)	≤200	≤7.87	600	23.62
2822E-2223	16.3	53'-5"	22.71 (577)	38.62 (981)	62.20 (1580)	17.51 (445)	1.33 (34)	1338 (607)	≤305	≤12.00	700	27.55
2822E-3223	22.4	73'-5"	27.04 (687)	47.28 (1201)	70.86 (1800)	17.51 (445)	1.33 (34)	1470 (667)	≤406	≤15.98	800	31.49
2822E-4223	30.6	100'-4"	32.95 (837)	59.09 (1501)	82.67 (2100)	17.51 (445)	1.33 (34)	1636 (742)	≤500	≤19.68	900	35.43