

MUNCK

PRODUCT
INFORMATION

2852 TWO RAIL TROLLEY

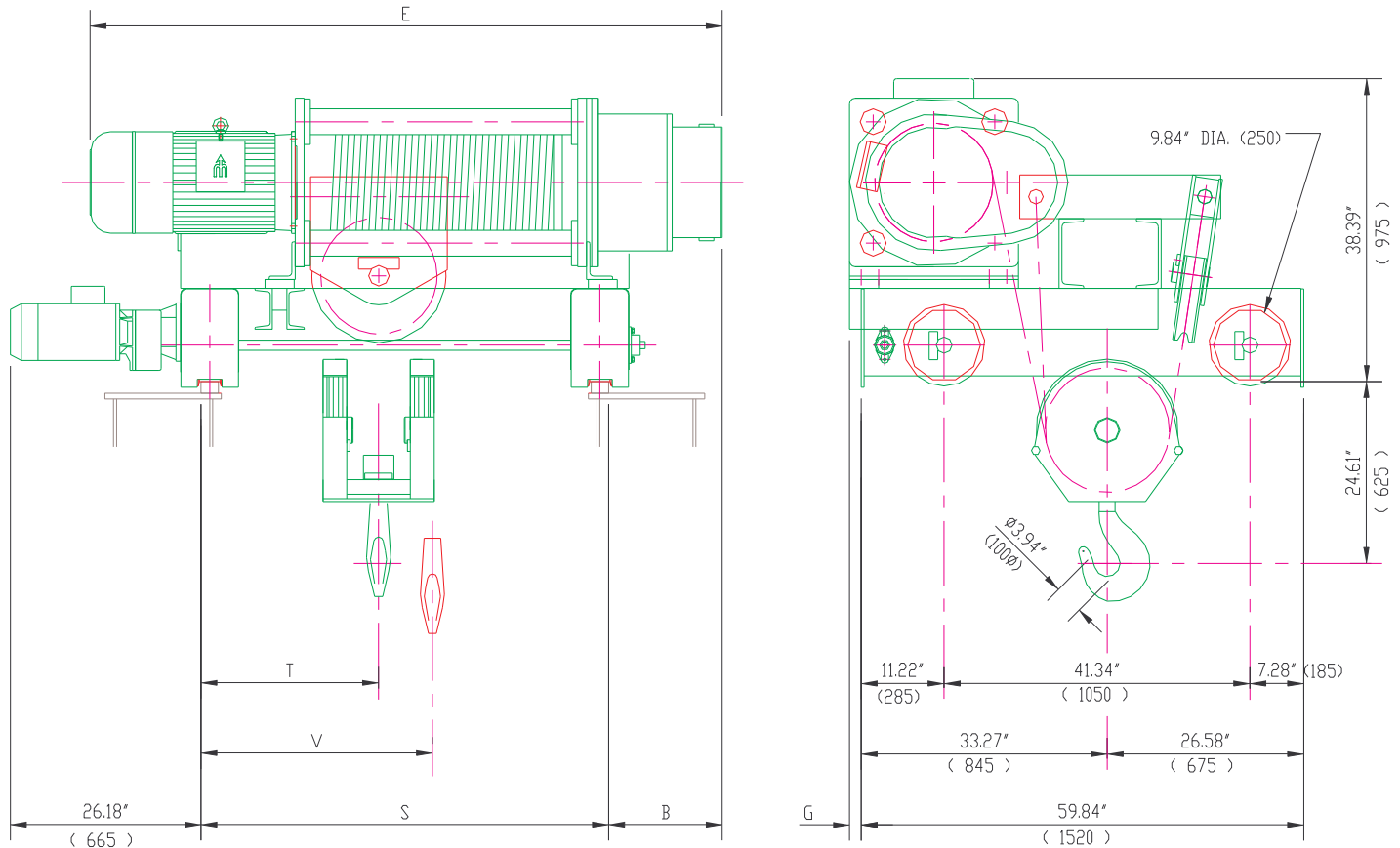
DWG. NO:

28521426

20 TON CAPACITY

DATE: 04.06.99

REVISION: 0



MUNCK RESERVES THE RIGHT TO MAKE CHANGE WITHOUT NOTICE.

HOIST TECHNICAL DATA

CAPACITY:	20 TONS (40000 LBS)	HOIST CLASS:	HMI H4	HOIST MOTOR:	22.5/7.7 HP, 1800/600 RPM, TEFC, S3 - 40%, CLASS "F" INSULATION
HOIST SPEED:	13 / 4 F.P.M (OPT. SPEEDS AVAILABLE)	TROLLEY CLASS:	CMAA C	TROLLEY MOTOR:	2.4/1.6 HP, 1800/600 RPM, TEFC, S3 - 60%, CLASS "F" INSULATION
TROLLEY SPEED:	80/ 20 F.P.M (OPT. SPEEDS AVAILABLE)	POWER SUPPLY:	460V-3PH-60HZ		

DIMENSIONAL INFORMATION

HOIST TYPE	HEIGHT OF LIFT		S INCHES (mm)	T INCHES (mm)	V INCHES (mm)	B INCHES (mm)	E INCHES (mm)	G INCHES (mm)	WEIGHT LBS (KG)
	METERS	FEET							
2852-1426	10	32'-10"	55.12 (1400)	24.02 (610)	31.30 (795)	15.39 (391)	85.47 (2171)	1.57 (40)	4697 (2135)
2852-2426	15	49'-3"	82.68 (2100)	36.02 (915)	46.73 (1187)	13.62 (346)	99.25 (2521)	1.57 (40)	5082 (2310)
2852-4426	20	65'-8"	110.24 (2800)	49.21 (1250)	63.39 (1610)	13.03 (331)	113.03 (2871)	1.57 (40)	5687 (2585)
2852-5426	22.5	73'-10"	110.24 (2800)	45.28 (1150)	61.42 (1560)	16.97 (431)	120.91 (3071)	1.57 (40)	5797 (2635)
2852-6426	26.7	87'-7"	125.98 (3200)	49.21 (1250)	68.31 (1735)	16.97 (431)	132.72 (3371)	1.57 (40)	6072 (2760)