

PRODUCT
INFORMATION

TWO RAIL TROLLEY

DWG. NO:

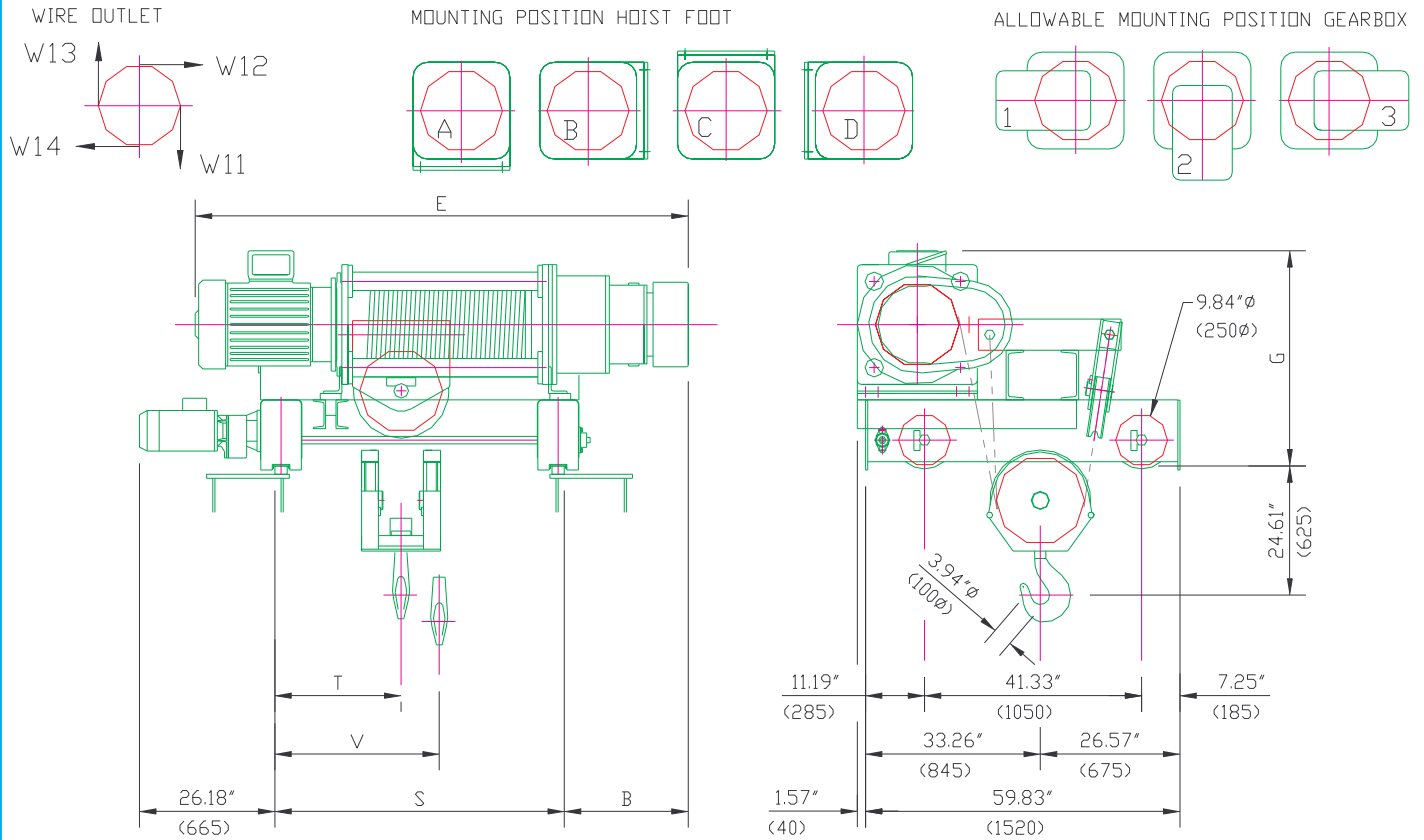
28611426

25 TON CAPACITY

DATE: 04.06.99

REVISION: 1

ALL POSITIONS VIEWED FROM GEARBOX SIDE
ALL MOUNTING POSITIONS AND WIREOUTLETS CAN BE COMBINED.
REF. FOR EXAMPLE FIG. IIW11A3



MUNCK RESERVES THE RIGHT TO MAKE CHANGE WITHOUT NOTICE.

HOIST TECHNICAL DATA

CAPACITY:	25 TONS (50,000 LBS)	HOIST CLASS:	HMI H4	HOIST MOTOR:	37/6.1 HP, 1800/300 RPM, TEFC, S3 - 40%, CLASS "F" INSULATION
HOIST SPEED:	20 / 3 F.P.M (OPT. SPEEDS AVAILABLE)	TROLLEY CLASS:	CMAA C	TROLLEY MOTOR:	2.4/6 HP, 1800/300 RPM, TEFC, S3 - 60%, CLASS "F" INSULATION
TROLLEY SPEED:	80/ 20 F.P.M (OPT. SPEEDS AVAILABLE)	POWER SUPPLY:	460V-3PH-60HZ		

DIMENSIONAL INFORMATION

HOIST TYPE	HEIGHT OF LIFT		S INCHES (mm)	T INCHES (mm)	V INCHES (mm)	B INCHES (mm)	E INCHES (mm)	G INCHES (mm)	WEIGHT LBS (KG)
	METERS	FEET							
2861-1426	10	32'-10"	55.12 (1400)	24.02 (610)	31.30 (795)	23.62 (600)	93.86 (2384)	40.94 (1040)	5368 (2435)
2861-2426	15	49'-3"	82.68 (2100)	36.02 (915)	46.73 (1187)	21.85 (555)	107.64 (2734)	40.94 (1040)	5754 (2610)
2861-4426	20	65'-8"	110.24 (2800)	49.21 (1250)	63.39 (1610)	21.26 (540)	121.42 (3084)	40.94 (1040)	6360 (2885)
2861-5426	22.5	73'-10"	110.24 (2800)	45.28 (1150)	61.42 (1560)	25.20 (640)	129.29 (3284)	40.94 (1040)	6470 (2935)
2861-6426	26.75	87'-9"	125.98 (3200)	49.21 (1250)	68.31 (1735)	25.20 (640)	141.10 (3584)	40.94 (1040)	6746 (3060)