

PRODUCT
INFORMATION

**LOW HEADROOM
MONORAIL TROLLEY**

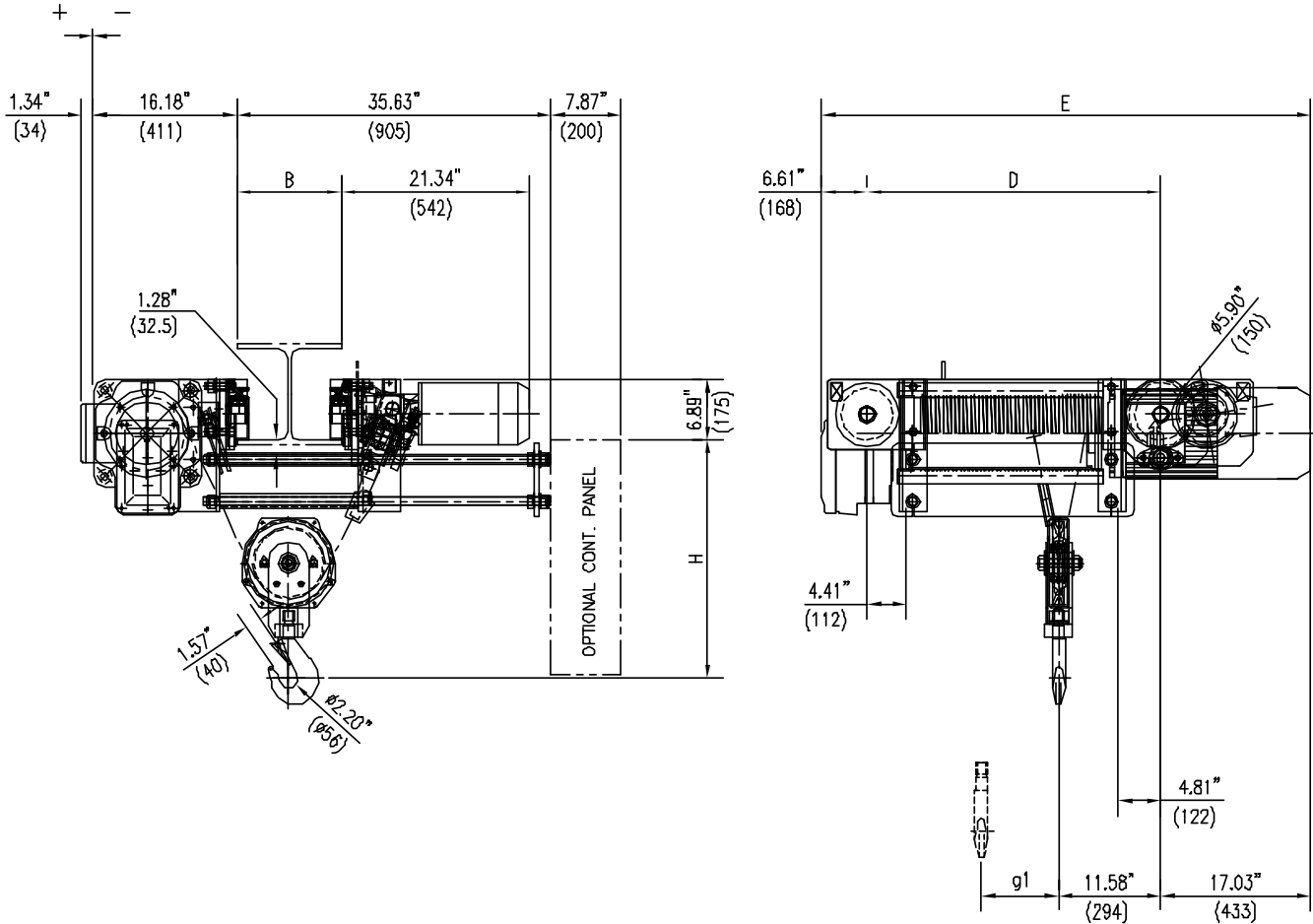
3 3/4 TON CAPACITY

DWG. NO:

3121B-1223

DATE: 07.01.00

REVISION: 0



MUNCK RESERVES THE RIGHT TO MAKE CHANGE WITHOUT NOTICE.

HOIST TECHNICAL DATA

CAPACITY:	3 3/4 TONS (7500 LBS)	HOIST CLASS:	HMI H4	HOIST MOTOR:	9.8/2.8 HP, 1800/600 RPM, TEFC, S3 - 40%, CLASS "F" INSULATION
HOIST SPEED:	32 / 10 F.P.M (OPT. SPEEDS AVAILABLE)	POWER SUPPLY:	460V-3PH-60HZ	TROLLEY MOTOR:	.9/2 HP, 3600/900 RPM, TEFC, S3 - 60%, CLASS "F" INSULATION
TROLLEY SPEED:	67 / 16 F.P.M. (OPT. SPEEDS AVAILABLE)	HOIST MOTOR:	6275-56		
		TROLLEY MOTOR:	9100-1145R08G		

DIMENSIONAL INFORMATION

HOIST TYPE	HEIGHT OF LIFT		g1 INCHES (mm)	D INCHES (mm)	E INCHES (mm)	WEIGHT LBS (KG)	FLANGE WIDTH "B"		HEADROOM "H"	
	METERS	FEET					mm	INCHES	mm	INCHES
3121B-1223	13.1	43'-0"	8.74 (222)	33.26 (845)	56.92 (1446)	1279 (580)	≤ 200	≤ 7.87	650	25.59
3121B-2223	17.8	58'-5"	11.69 (297)	39.17 (995)	62.83 (1596)	1323 (600)	≤ 305	≤ 12.00	650	25.59
3121B-3223	24.4	80'-0"	16.02 (407)	47.83 (1215)	71.49 (1816)	1455 (660)	≤ 406	≤ 15.98	800	31.49
3121B-4223	33.4	109'-7"	21.92 (557)	159.94 (1515)	83.31 (2116)	1621 (735)	≤ 500	≤ 19.68	890	35.04
3121B-5223	41.8	137'-2"	27.44 (697)	70.87 (1795)	94.33 (2396)	1896 (860)	≤ 600	≤ 23.62	1000	39.37