



PRODUCT
INFORMATION

LOW HEADROOM MONORAIL TROLLEY

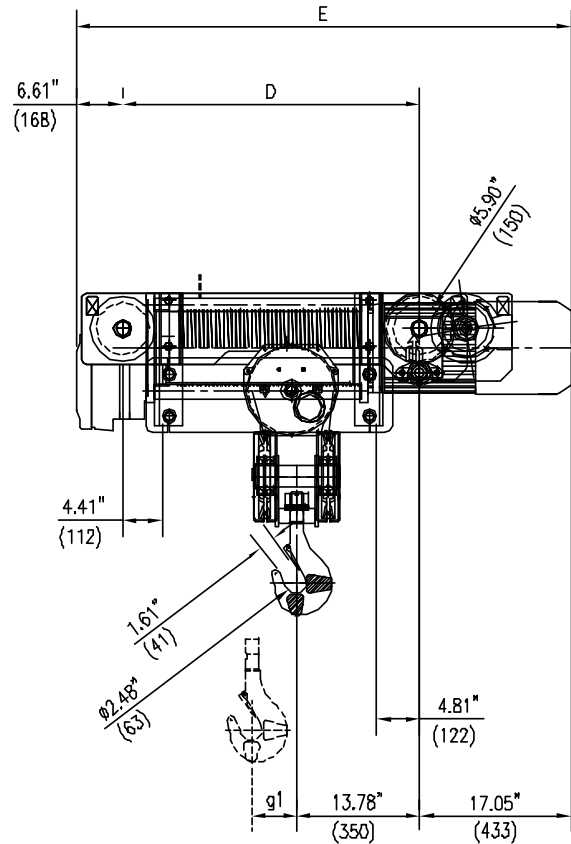
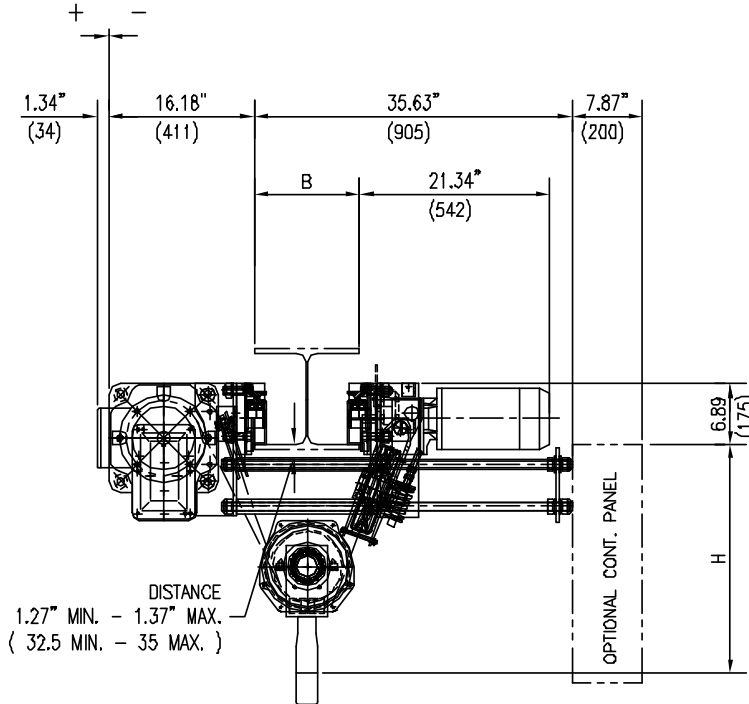
DWG. NO:

3121B-1423

7 1/2 TON CAPACITY

DATE: 08.11.00

REVISION: 0



MUNCK RESERVES THE RIGHT TO MAKE CHANGE WITHOUT NOTICE.

HOIST TECHNICAL DATA

CAPACITY:	7 1/2 TONS (15000 LBS)	HOIST CLASS:	HMI H4	HOIST MOTOR:	9.8/2.8 HP, 1800/600 RPM, TEFC, S3 - 40%, CLASS "F" INSULATION
HOIST SPEED:	16 / 5 F.P.M (OPT. SPEEDS AVAILABLE)	POWER SUPPLY:	460V-3PH-60HZ		
TROLLEY SPEED:	67 / 16 F.P.M. (OPT. SPEEDS AVAILABLE)	HOIST MOTOR:	6275-56	TROLLEY MOTOR:	.9/2 HP, 3600/900 RPM, TEFC, S3 - 60%, CLASS "F" INSULATION
		TROLLEY MOTOR:	9100-1145R08G		

DIMENSIONAL INFORMATION

HOIST TYPE	HEIGHT OF LIFT		g1 INCHES (mm)	D INCHES (mm)	E INCHES (mm)	WEIGHT LBS (KG)	FLANGE WIDTH "B"		HEADROOM "H"	
	METERS	FEET					mm	INCHES	mm	INCHES
3121B-1423	6.5	21'-3"	4.37 (111)	33.26 (845)	56.92 (1446)	1345 (610)	≤ 200	≤ 7.87	690	27.16
3121B-2423	8.9	29'-2"	5.86 (149)	39.17 (995)	62.83 (1596)	1389 (630)	≤ 305	≤ 12.00	670	26.37
3121B-3423	12.2	40'-0"	8.03 (204)	47.83 (1215)	71.49 (1816)	1521 (690)	≤ 406	≤ 15.98	810	31.89
3121B-4423	16.7	54'-9"	10.98 (279)	159.64 (1515)	83.31 (2116)	1687 (765)	≤ 500	≤ 19.68	940	37.00
3121B-5423	20.9	68'-6"	13.74 (349)	70.67 (1795)	94.33 (2396)	1962 (890)	≤ 600	≤ 23.62	1070	42.12