



PRODUCT  
INFORMATION

# LOW HEADROOM MONORAIL TROLLEY

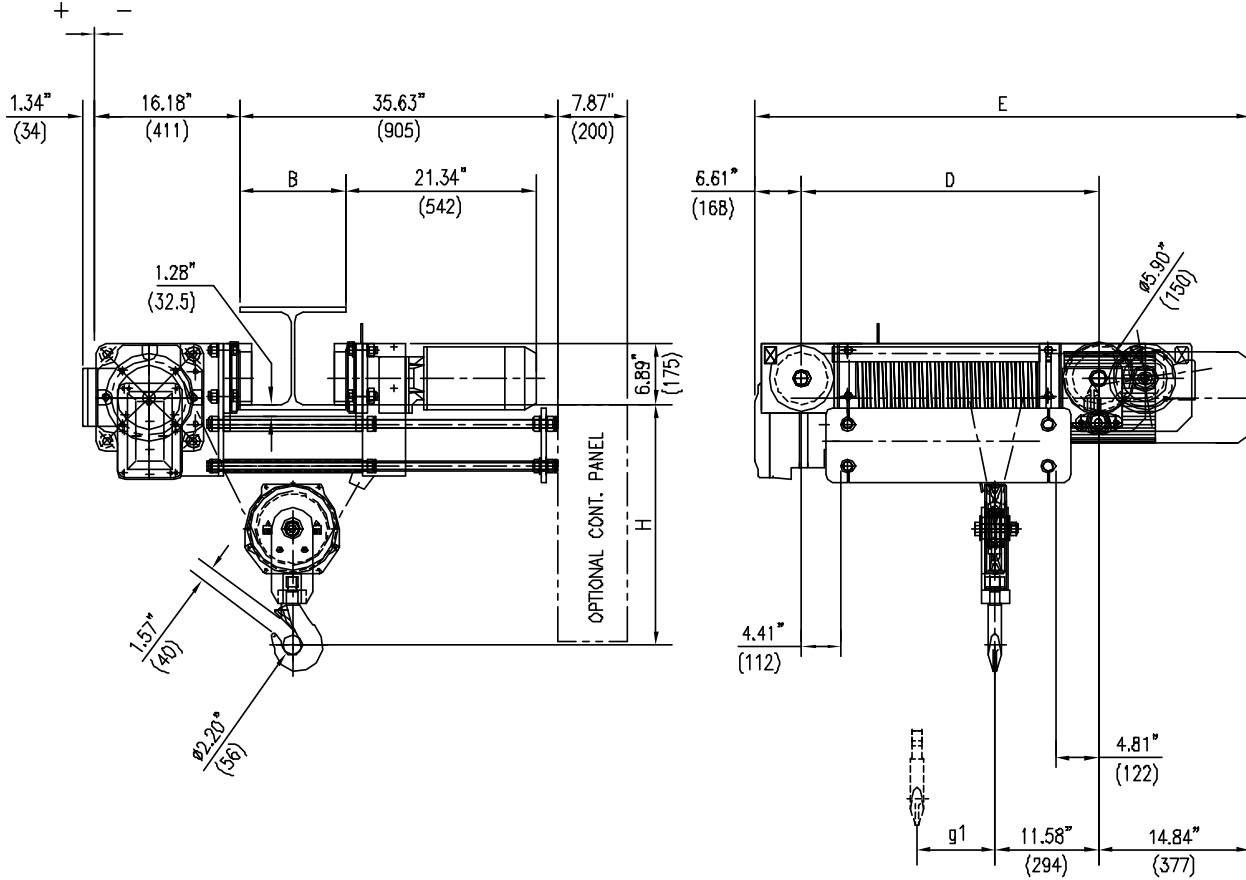
DWG. NO:

**3122B-1223**

**5 TON CAPACITY**

DATE: 08.11.00

REVISION: 0



MUNCK RESERVES THE RIGHT TO MAKE CHANGE WITHOUT NOTICE.

## HOIST TECHNICAL DATA

CAPACITY:	5 TONS (10000 LBS)	HOIST CLASS:	HMI H4	HOIST MOTOR:	12/4 HP, 1800/600 RPM, TEFC, S3 - 40%, CLASS "F" INSULATION
HOIST SPEED:	32 / 8 F.P.M { OPT. SPEEDS AVAILABLE }	POWER SUPPLY:	460V-3PH-60HZ	TROLLEY MOTOR:	.9/2 HP, 3600/900 RPM, TEFC, S3 - 60%, CLASS "F" INSULATION
TROLLEY SPEED:	67 / 16 F.P.M. { OPT. SPEEDS AVAILABLE }	HOIST MOTOR:	6275-58A		
		TROLLEY MOTOR:	9100-1145R08G		

## DIMENSIONAL INFORMATION

HOIST TYPE	HEIGHT OF LIFT		g1 INCHES ( mm )	D INCHES ( mm )	E INCHES ( mm )	WEIGHT LBS ( KG )	FLANGE WIDTH "B"		HEADROOM "H"	
	METERS	FEET					mm	INCHES	mm	INCHES
3122B-1223	13.1	43'-0"	8.74 ( 222 )	( 33.27 ) 845	57.48 ( 1460 )	1278 ( 580 )	≤ 200	≤ 7.87	650	25.59
3122B-2223	17.8	58'-5"	11.69 ( 297 )	( 39.17 ) 995	63.39 ( 1610 )	1323 ( 600 )	≤ 305	≤ 12.00	650	25.59
3122B-3223	24.4	80'-0"	16.02 ( 407 )	( 47.83 ) 1215	72.05 ( 1830 )	1455 ( 660 )	≤ 406	≤ 15.98	800	31.50
3122B-4223	33.4	109'-7"	21.93 ( 557 )	( 59.65 ) 1515	83.06 ( 2130 )	1621 ( 735 )	≤ 500	≤ 19.68	890	35.04
3122B-5223	41.8	137'-2"	27.44 ( 697 )	( 70.67 ) 1795	94.88 ( 2410 )	1896 ( 860 )	≤ 600	≤ 23.62	1000	39.37