



PRODUCT
INFORMATION

**LOW HEADROOM
MONORAIL TROLLEY**

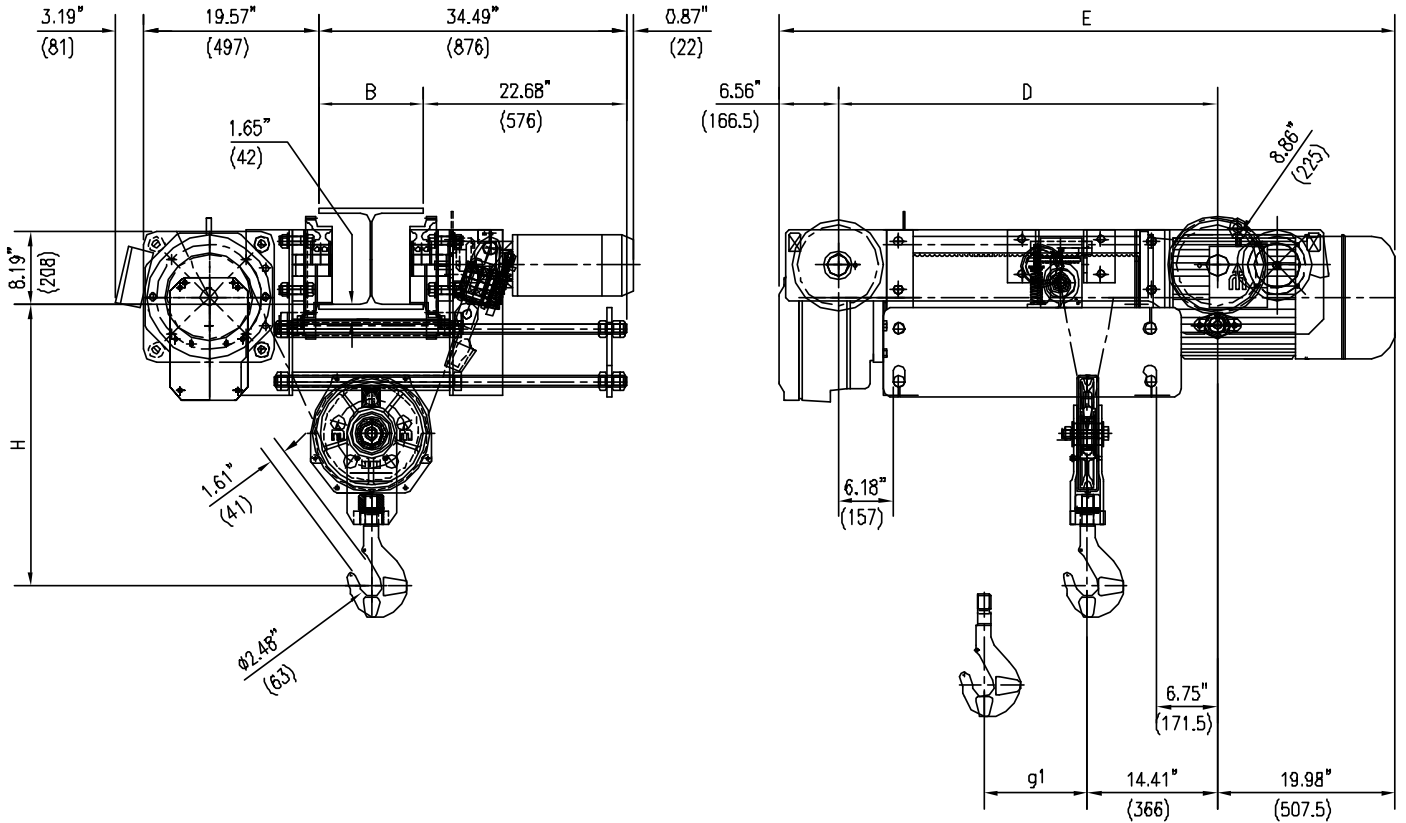
DWG. NO:

3131B-1223

7 1/2 TON CAPACITY

DATE: 01.11.00

REVISION: 0



MUNCK RESERVES THE RIGHT TO MAKE CHANGE WITHOUT NOTICE.

HOIST TECHNICAL DATA

CAPACITY:	7 1/2 TONS (15000 LBS)	HOIST CLASS:	HMI H4	HOIST MOTOR:	21.5/6.7 HP, 1800/600 RPM, TEFC, S3 - 30%, CLASS "F" INSULATION
HOIST SPEED:	34 / 10 F.P.M { OPT. SPEEDS AVAILABLE }	POWER SUPPLY:	460V-3PH-60HZ		
TROLLEY SPEED:	75 / 17 F.P.M. { OPT. SPEEDS AVAILABLE }	HOIST MOTOR:	6275-62A	TROLLEY MOTOR:	1.2/.3 HP, 3600/900 RPM, TEFC, S3 - 60%, CLASS "F" INSULATION
		TROLLEY MOTOR:	9100-1355R08G		

DIMENSIONAL INFORMATION

HOIST TYPE	HEIGHT OF LIFT		g1 INCHES (mm)	D INCHES (mm)	E INCHES (mm)	WEIGHT LBS (KG)	FLANGE WIDTH "B"		HEADROOM "H"	
	METERS	FEET					mm	INCHES	mm	INCHES
3131B-1223	16.0	52'-6"	11.42 (290)	42.52 (1080)	69.05 (1754)	1752 (795)	≤ 200	≤ 7.87	775	30.51
3131B-2223	22.0	72'-2"	15.75 (400)	51.18 (1300)	77.72 (1974)	1830 (830)	≤ 305	≤ 12.00	775	30.51
3131B-3223	30.3	99'-5"	21.65 (550)	62.99 (1600)	89.53 (2274)	2073 (940)	≤ 406	≤ 15.98	850	33.46
3131B-4223	42.6	139'-9"	30.51 (775)	80.71 (2050)	107.24 (2724)	2414 (1095)	≤ 500	≤ 19.68	950	37.40
							≤ 600	≤ 23.62	1075	42.32