



PRODUCT  
INFORMATION

# LOW HEADROOM MONORAIL TROLLEY

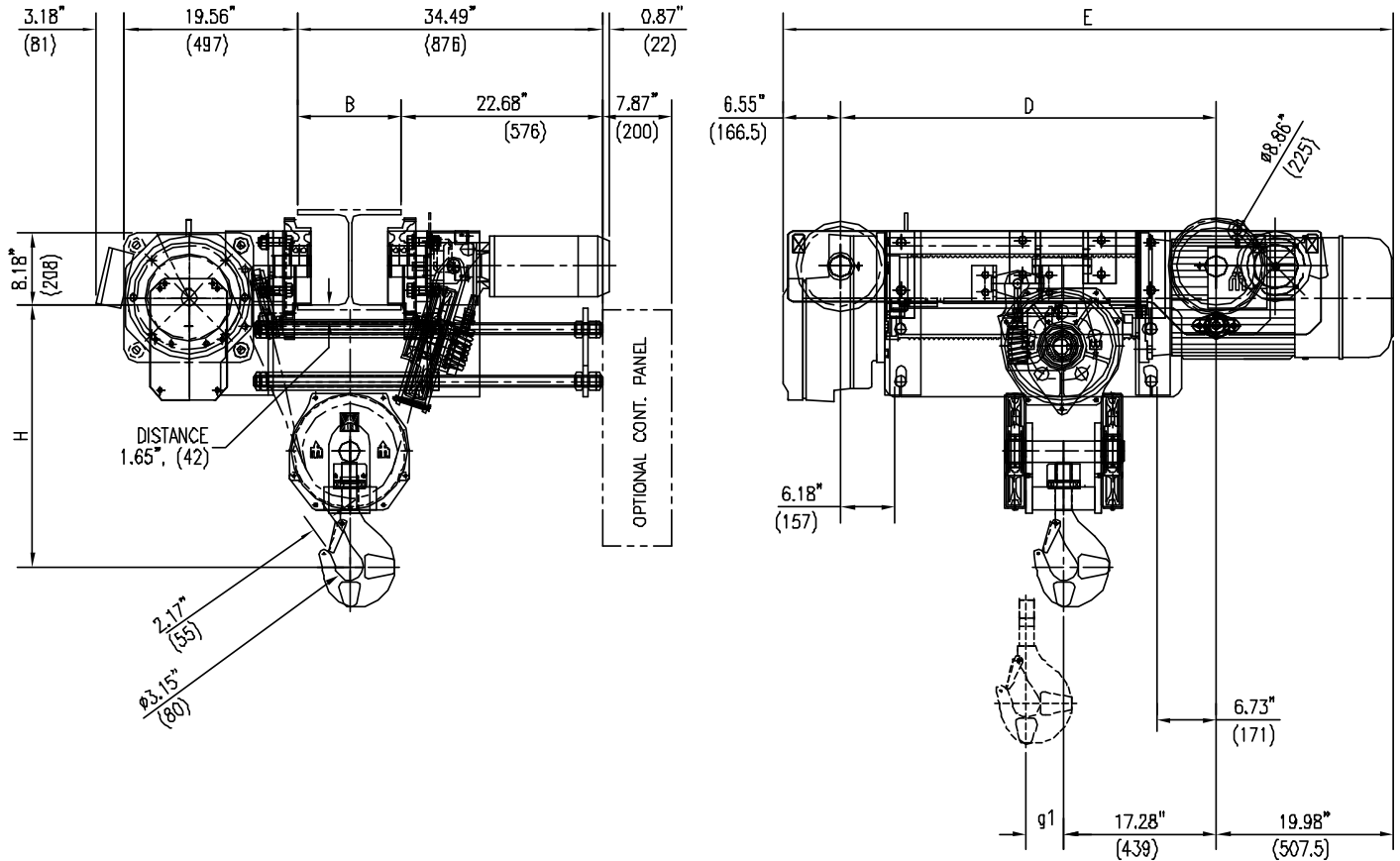
**15 TON CAPACITY**

DWG. NO:

**3131B-1423**

DATE: 01.11.00

REVISION: 0



MUNCK RESERVES THE RIGHT TO MAKE CHANGE WITHOUT NOTICE.

## HOIST TECHNICAL DATA

CAPACITY:	15 TONS (30000 LBS)	HOIST CLASS:	HMI H4	HOIST MOTOR:	21.5/6.7 HP, 1800/600 RPM, TEFC, S3 - 30%, CLASS "F" INSULATION
HOIST SPEED:	17 / 6 F.P.M { OPT. SPEEDS AVAILABLE }	POWER SUPPLY:	460V-3PH-60HZ		
TROLLEY SPEED:	75 / 17 F.P.M. { OPT. SPEEDS AVAILABLE }	HOIST MOTOR:	6275-62A	TROLLEY MOTOR:	1.2/3 HP, 3600/900 RPM, TEFC, S3 - 60%, CLASS "F" INSULATION
		TROLLEY MOTOR:	9100-1355R08G		

## DIMENSIONAL INFORMATION

HOIST TYPE	HEIGHT OF LIFT		g1 INCHES ( mm )	D INCHES ( mm )	E INCHES ( mm )	WEIGHT LBS ( KG )	FLANGE WIDTH "B"		HEADROOM "H"	
	METERS	FEET					mm	INCHES	mm	INCHES
3131B-1423	8.0	26'-3"	5.71 ( 145 )	42.52 ( 1080 )	69.05 ( 1754 )	1852 ( 840 )	≤ 200	≤ 7.87	700	27.53
3131B-2423	11.0	36'-1"	7.87 ( 200 )	51.18 ( 1300 )	77.72 ( 1974 )	2040 ( 925 )	≤ 305	≤ 12.00	700	27.55
3131B-3423	15.1	49'-6"	10.83 ( 275 )	62.99 ( 1600 )	89.53 ( 2274 )	2172 ( 985 )	≤ 406	≤ 15.98	775	30.51
3131B-4423	21.3	69'-10"	15.24 ( 387 )	80.71 ( 2050 )	107.24 ( 2724 )	2514 ( 1140 )	≤ 500	≤ 19.68	875	34.45
							≤ 600	≤ 23.62	1000	39.37