

PRODUCT
INFORMATION

**LOW HEADROOM
MONORAIL TROLLEY**

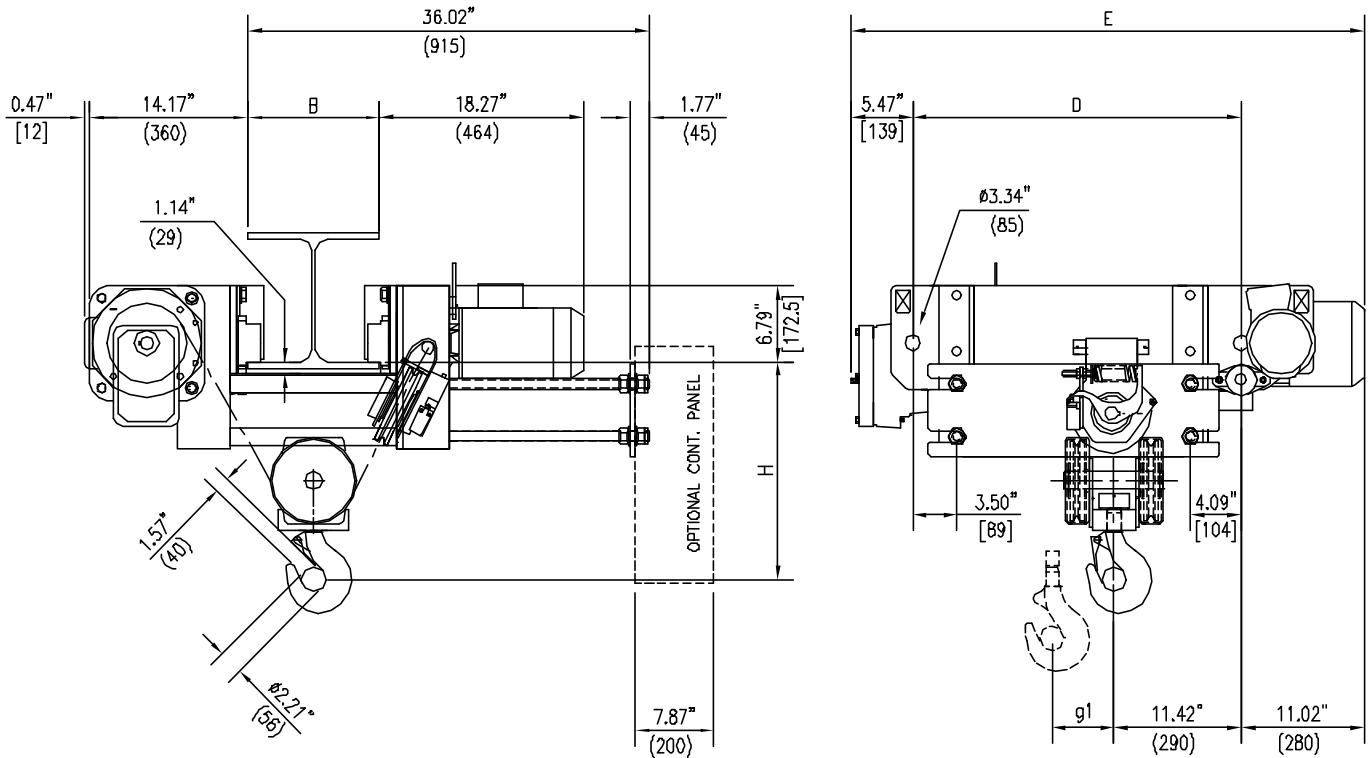
3 TON CAPACITY

DWG. NO:

3101D-1423

DATE: 23.4.01

REVISION: B



MUNCK RESERVES THE RIGHT TO MAKE CHANGE WITHOUT NOTICE.

HOIST TECHNICAL DATA

| | | | | | |
|----------------|---|----------------|---------------|----------------|---|
| CAPACITY: | 3 TONS (6000 LBS) | HOIST CLASS: | HMI H4 | HOIST MOTOR: | 4/1 HP, 3600/900 RPM, TEFC, S3 - 30%, CLASS "F" INSULATION |
| HOIST SPEED: | 16 / 4 F.P.M (OPT. SPEEDS AVAILABLE) | POWER SUPPLY: | 460V-3PH-60HZ | | |
| TROLLEY SPEED: | 67 / 15 F.P.M. (OPT. SPEEDS AVAILABLE) | HOIST MOTOR: | 6275-51 | TROLLEY MOTOR: | .4/1 HP, 3600/900 RPM, TEFC, S3 - 60%, CLASS "F" INSULATION |
| | | TROLLEY MOTOR: | 9100-1035R08G | | |

DIMENSIONAL INFORMATION

| HOIST TYPE | HEIGHT OF LIFT | | g1 INCHES (mm) | D INCHES (mm) | E INCHES (mm) | WEIGHT LBS (KG) | FLANGE WIDTH "B" | | HEADROOM "H" | |
|------------|----------------|---------|----------------------|---------------------|---------------------|-------------------------|------------------|---------|--------------|--------|
| | METERS | FEET | | | | | mm | INCHES | mm | INCHES |
| 3101D-1423 | 7.1 | 23'-3" | 4.13 (105) | 29.45 (748) | 45.41 (1167) | 748 (340) | ≤ 200 | ≤ 7.87 | 490 | 19.29 |
| 3101D-2423 | 10.1 | 33'-1" | 5.91 (150) | 36.54 (928) | 53.03 (1347) | 807 (367) | ≤ 305 | ≤ 12.00 | 495 | 19.49 |
| 3101D-3423 | 12.5 | 41'-0" | 7.28 (185) | 42.05 (1068) | 58.54 (1487) | 856 (389) | ≤ 406 | ≤ 15.98 | 588 | 23.15 |
| 3101D-4423 | 17 | 55'-9" | 9.88 (251) | 52.48 (1333) | 68.98 (1752) | 950 (432) | ≤ 500 | ≤ 19.68 | 680 | 26.77 |
| 3101D-5423 | 21.3 | 69'-10" | 12.40 (315) | 62.44 (1586) | 78.94 (2005) | 1014 (461) | ≤ 600 | ≤ 23.62 | 775 | 30.51 |