

PRODUCT
INFORMATION

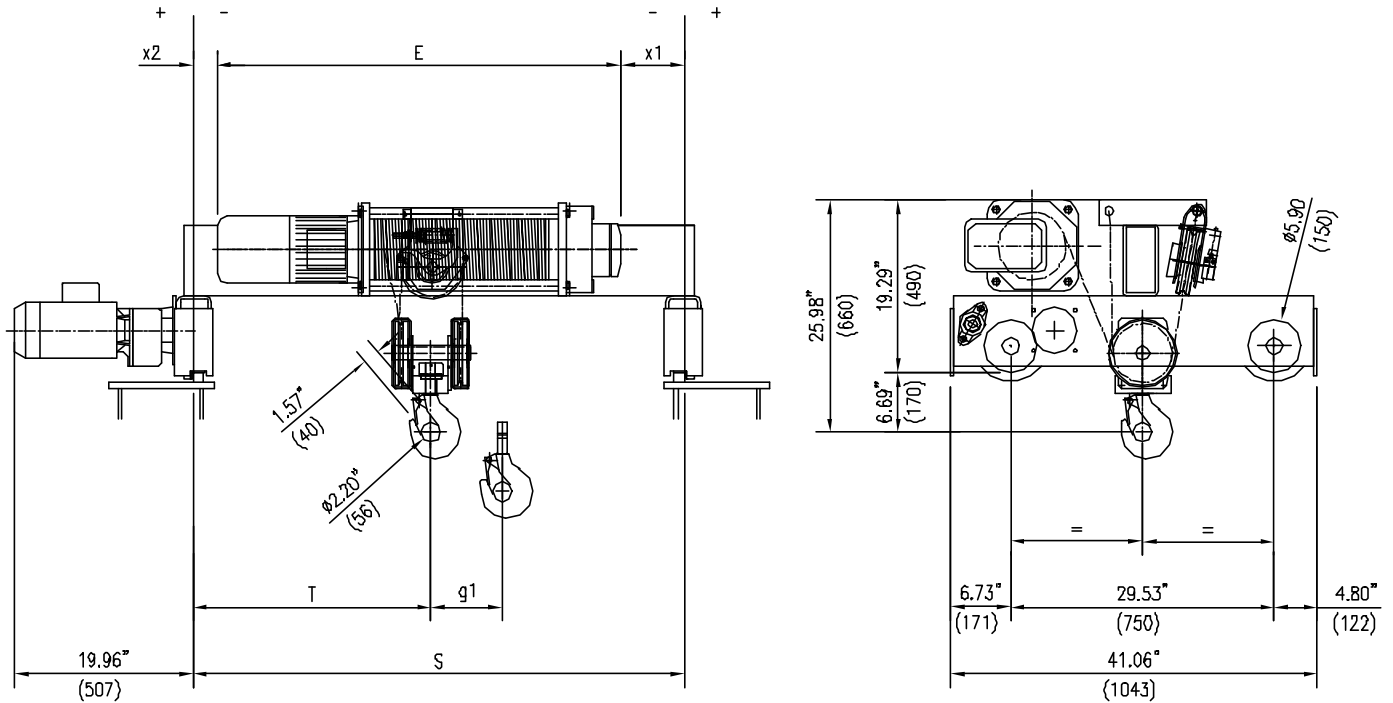
**3101
TWO RAIL TROLLEY
3 TON CAPACITY**

DWG. NO:

3101D-1426

DATE: 23.04.01

REVISION: B



MUNCK RESERVES THE RIGHT TO MAKE CHANGE WITHOUT NOTICE.

HOIST TECHNICAL DATA

CAPACITY:	3 TONS (6000 LBS)	HOIST CLASS:	HMI H4	HOIST MOTOR:	4/1 HP, 3600/900 RPM, TEFC, S3 - 50%, CLASS "F" INSULATION
HOIST SPEED:	16 / 4 F.P.M (OPT. SPEEDS AVAILABLE)	POWER SUPPLY:	460V-3PH-60HZ		
TROLLEY SPEED:	70 / 16 F.P.M (OPT. SPEEDS AVAILABLE)	HOIST MOTOR:	6275-51	TROLLEY MOTOR:	.4/1 HP, 3600/900 RPM, TEFC, S3 - 60%, CLASS "F" INSULATION
		TROLLEY MOTOR:	9100-1135R08G		

DIMENSIONAL INFORMATION

HOIST TYPE	HEIGHT OF LIFT		S INCHES (mm)	T INCHES (mm)	E INCHES (mm)	g1 INCHES (mm)	x1 INCHES (mm)	x2 INCHES (mm)	WEIGHT LBS (KG)
	METERS	FEET							
3101D-1426	7.1	23'-3"	55.11 (1400)	25.47 (647)	45.95 (1167)	4.13 (105)	-7.36 (-187)	-1.81 (-46)	993 (450)
3101D-2426	10.1	33'-1"	55.11 (1400)	24.61 (625)	53.03 (1347)	5.90 (150)	-1.14 (-29)	-0.95 (-24)	1014 (460)
3101D-3426	12.5	41'-0"	55.11 (1400)	23.90 (607)	58.54 (1487)	7.28 (185)	3.66 (93)	-0.24 (-6)	1036 (470)
3101D-4426	17	55'-9"	82.68 (2100)	36.38 (924)	68.98 (1752)	9.88 (251)	-0.98 (-25)	-12.72 (-323)	1125 (510)
3101D-5426	21.3	69'-10"	82.68 (2100)	32.2 (818)	78.94 (2005)	12.4 (315)	4.80 (122)	-8.54 (-217)	1147 (520)