

PRODUCT
INFORMATION

**LOW HEADROOM
MONORAIL TROLLEY**

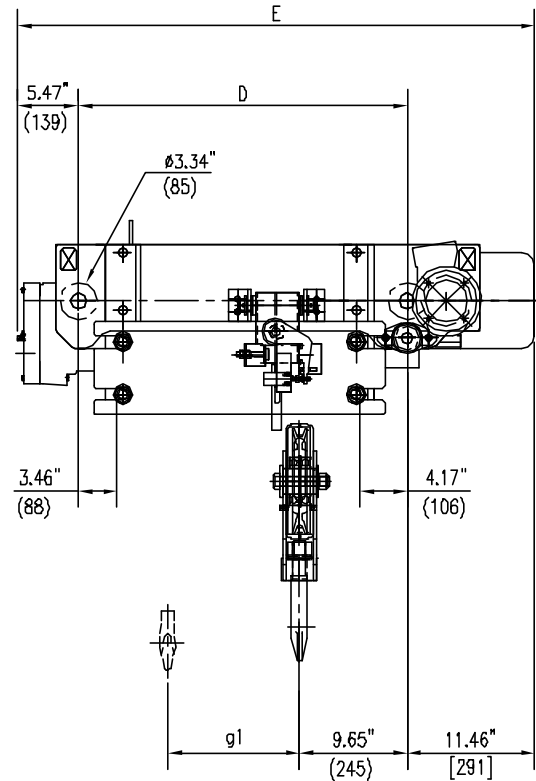
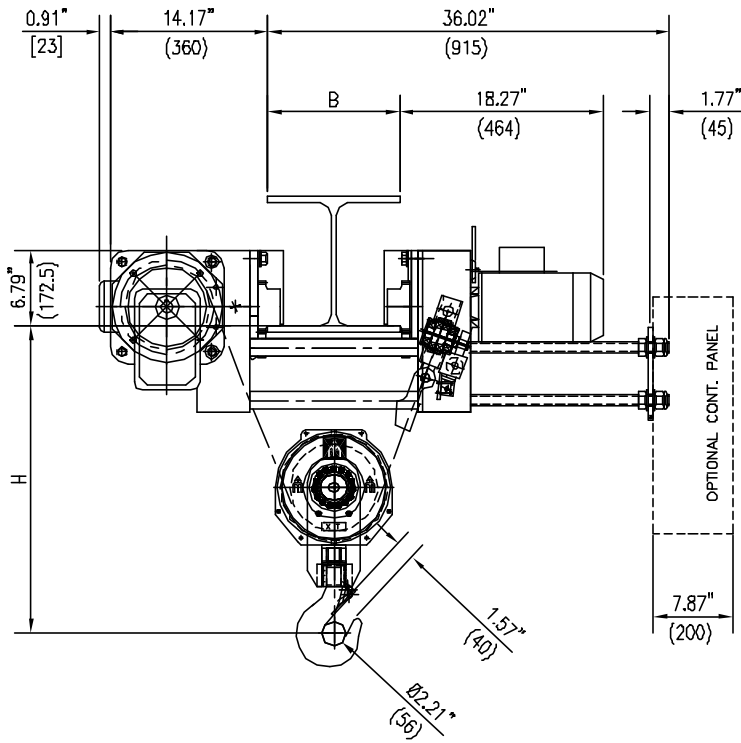
2 1/2 TON CAPACITY

DWG. NO:

3111D-1223

DATE: 23.04.01

REVISION: B



MUNCK RESERVES THE RIGHT TO MAKE CHANGE WITHOUT NOTICE.

HOIST TECHNICAL DATA

CAPACITY:	2 1/2 TONS (5000 LBS)	HOIST CLASS:	HMI H4	HOIST MOTOR:	6.4/1.6 HP, 3600/900 RPM, TEFC, S3 - 30%, CLASS "F" INSULATION
HOIST SPEED:	32 / 8 F.P.M (OPT. SPEEDS AVAILABLE)	POWER SUPPLY:	460V-3PH-60HZ		
TROLLEY SPEED:	67 / 15 F.P.M. (OPT. SPEEDS AVAILABLE)	HOIST MOTOR:	6275-52	TROLLEY MOTOR:	.4/.1 HP, 3600/900 RPM, TEFC, S3 - 60%, CLASS "F" INSULATION
		TROLLEY MOTOR:	9100-1035R08G		

DIMENSIONAL INFORMATION

HOIST TYPE	HEIGHT OF LIFT		g1 INCHES (mm)	D INCHES (mm)	E INCHES (mm)	WEIGHT LBS (KG)	FLANGE WIDTH "B"		HEADROOM "H"	
	METERS	FEET					mm	INCHES	mm	INCHES
3111D-1223	14.2	46'-7"	8.27 (210)	29.45 (748)	46.38 (1178)	761 (346)	≤ 200	≤ 7.87	700	27.56
3111D-2223	20.3	66'-7"	11.81 (300)	38.54 (928)	53.46 (1358)	821 (373)	≤ 305	≤ 12.00	700	27.56
3111D-3223	25	82'-2"	14.57 (370)	42.05 (1068)	58.98 (1498)	869 (395)	≤ 406	≤ 15.98	800	31.50
3111D-4223	34	111'-6"	19.76 (502)	52.48 (1333)	69.41 (1763)	964 (438)	≤ 500	≤ 19.68	900	35.43
3111D-5223	42.6	139'-9"	24.76 (629)	62.44 (1586)	79.37 (2016)	1030 (468)	≤ 600	≤ 23.62	1000	39.37