

PRODUCT  
INFORMATION

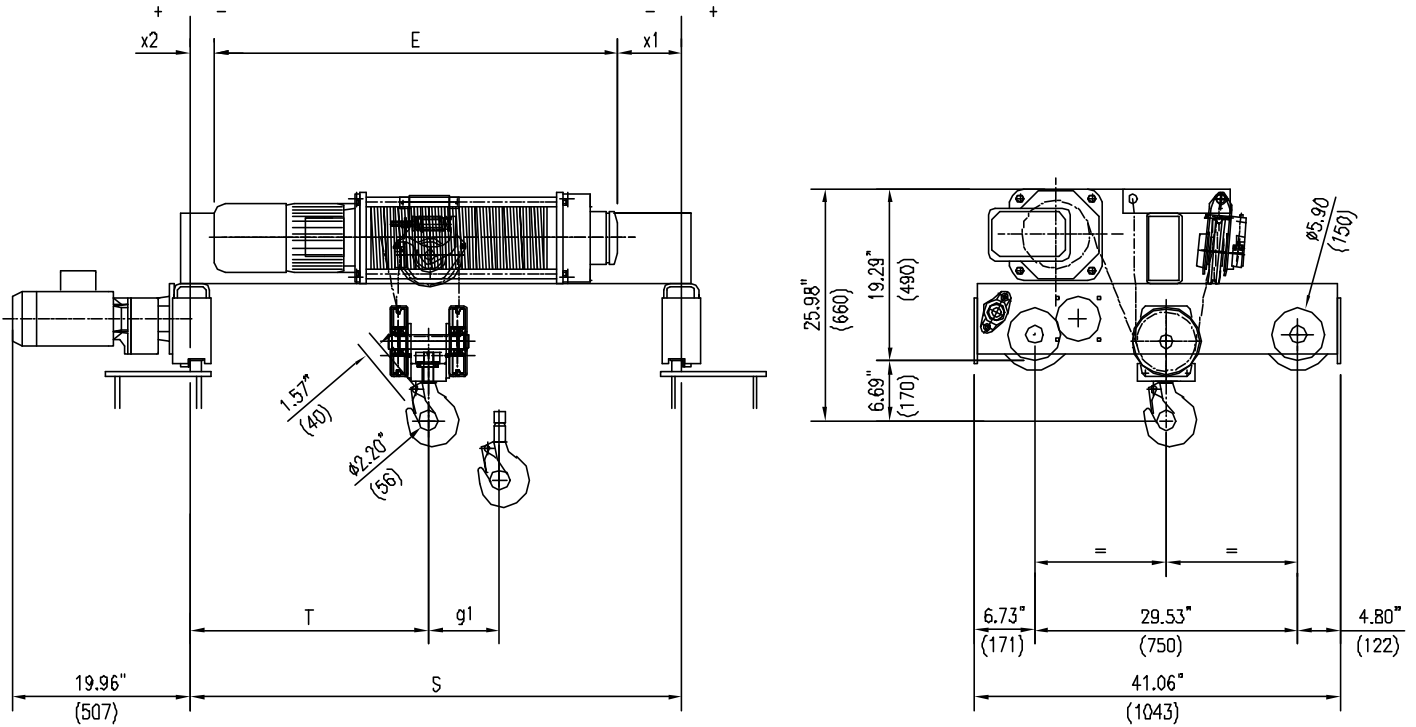
**3111**  
**TWO RAIL TROLLEY**  
**5 TON CAPACITY**

DWG. NO:

**3111D-1426**

DATE: 24.04.01

REVISION: B



MUNCK RESERVES THE RIGHT TO MAKE CHANGE WITHOUT NOTICE.

**HOIST TECHNICAL DATA**

CAPACITY:	5 TONS (10000 LBS)	HOIST CLASS:	HMI H4	HOIST MOTOR:	6.4/1.6 HP, 3600/900 RPM, TEFC, S3 - 50%, CLASS "F" INSULATION
HOIST SPEED:	16 / 4 F.P.M ( OPT. SPEEDS AVAILABLE )	POWER SUPPLY:	460V-3PH-60HZ		
TROLLEY SPEED:	70 / 16 F.P.M ( OPT. SPEEDS AVAILABLE )	HOIST MOTOR:	6275-52	TROLLEY MOTOR:	.4/.1 HP, 3600/900 RPM, TEFC, S3 - 60%, CLASS "F" INSULATION
		TROLLEY MOTOR:	9100-1135R08G		

**DIMENSIONAL INFORMATION**

HOIST TYPE	HEIGHT OF LIFT		S INCHES ( mm )	T INCHES ( mm )	E INCHES ( mm )	$g_1$ INCHES ( mm )	x1 INCHES ( mm )	x2 INCHES ( mm )	WEIGHT LBS ( KG )
	METERS	FEET							
3111D-1426	7.1	23'-3"	55.11 ( 1400 )	25.47 ( 647 )	46.38 ( 1178 )	4.13 ( 105 )	-7.36 ( -187 )	-1.38 ( -35 )	1000 ( 453 )
3111D-2426	10.1	33'-1"	55.11 ( 1400 )	24.61 ( 625 )	53.46 ( 1358 )	5.90 ( 150 )	-1.14 ( -29 )	-0.51 ( -13 )	1030 ( 467 )
3111D-3426	12.5	41'-0"	55.11 ( 1400 )	23.90 ( 607 )	58.98 ( 1498 )	7.28 ( 185 )	3.66 ( 93 )	0.20 ( 5 )	1060 ( 480 )
3111D-4426	17	55'-9"	82.68 ( 2100 )	36.38 ( 924 )	69.41 ( 1763 )	9.88 ( 251 )	-0.98 ( -25 )	-12.28 ( -312 )	1125 ( 510 )
3111D-5426	21.3	69'-10"	82.68 ( 2100 )	32.2 ( 818 )	79.37 ( 2016 )	12.4 ( 315 )	4.80 ( 122 )	-8.11 ( -206 )	1150 ( 522 )